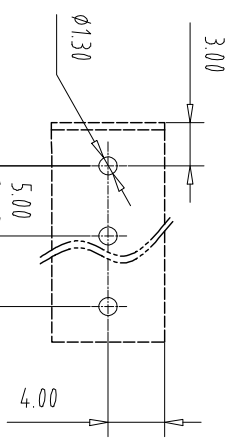
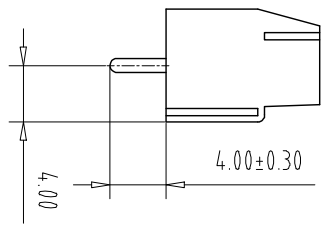
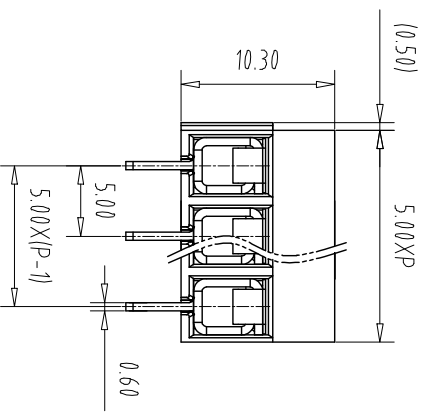
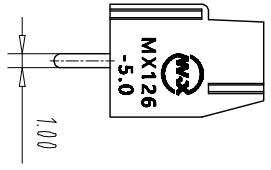
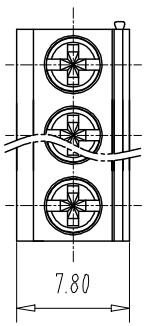


注: 本型为禁止传输、复制、编辑文档, 以及用其内容进行交流



PCB Layout

REV	ECN NO.	CONTENT	CHK	DATE

NOTES 1:
UL Standard

- 1.Rating voltage/current: 300V/10A
- 2.withstanding voltage: AC2000V/1Min
- 3.Torque value: M2.5, 3.54Lb.in
- 4.Wire range: 26~14AWG

IEC Standard

Pollution Degree	3	2	2
Overvoltage Category	III	III	II
Rate Impulse Voltage(KV)	/	/	/
Rate Voltage(V)	/	250V	/
Rate Current(A)	/	15A	/

2. Torque value: M2.5, 0.4Nm
3. wire range: 0.5~2.5mm²

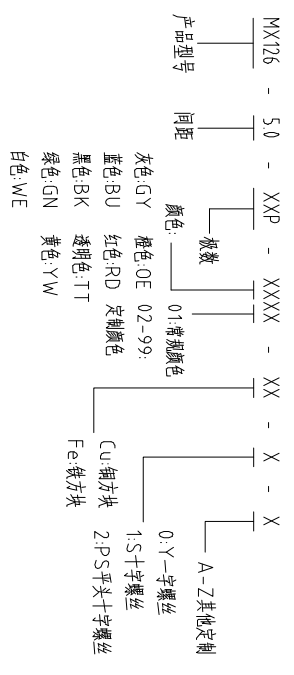
NOTES 2:

- 1.Housing: PA66(UL 94V-0)
- 2.Solder Pin: Copper alloy(Sn Plated)
- 3.Spring: Stainless Steel
- 4.Screw: Steel(M2.5,Zn Plated)

NOTES 3:

- 1.Pitch: 5.0mm Poles: 02-24P
- 2.Stripping length: 6-7mm
- 3.Operating temperature: -40℃~+105℃
- 4.RoHS Compliance

How to order



Pitch Range In mm	Nominal Dimension Range In mm						PCB Layout	
	Over	In	Over	In	Over	In	Symbol	Value
TO 6	TO 10	TO 24	TO 30	TO 60	TO 100	TO 150	0.1/10	±2°
±0.15	±0.20	±0.30	±0.30	±0.50	±0.70	±1.00	±1.30	

ITEM	NAME OF PART	NO. OF PART	Q'TY	MATERIAL	NOTE
DWG.	CHK	DATE	UNITS	MM	1/1
APP.	DATE	SCALE	A4	1:1	1/1
CIXI MAIXU ELECTRONICS CO.,LTD.				NAME	MX126-5.0-XXP
MAIXU 慈溪市迈旭电子有限公司				DWGNO.	