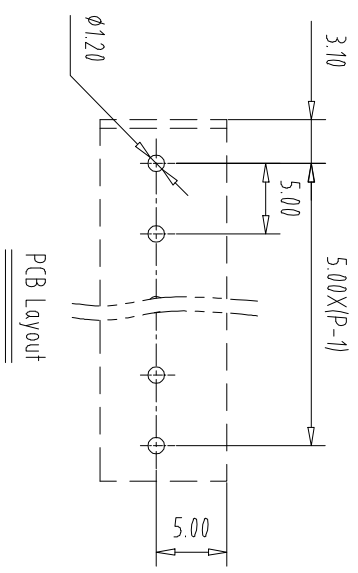
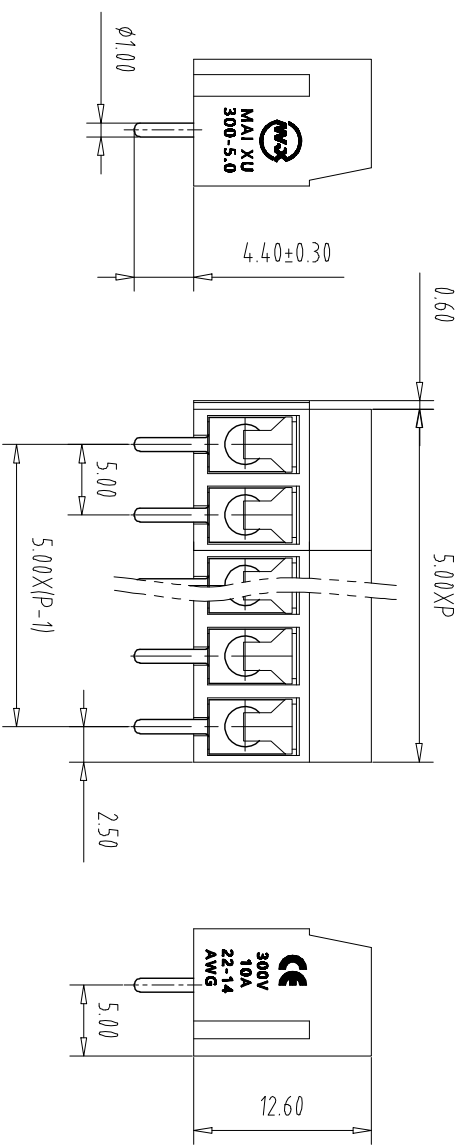
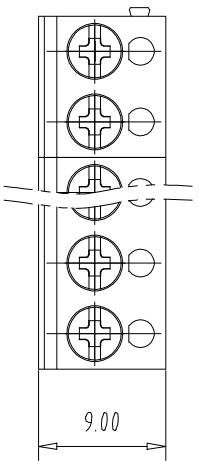


注: 本图禁止传输、复制、编辑、修改, 以及用其内容进行标注



REV	ECN NO.	CONTENT	CHK	DATE

NOTES 1:
UL Standard
1.Rating voltage/current: 300V//10A
2.withstanding voltage: AC2000V//1Min
3.Torque value: M3, 4,43Lb.in
4.Wire range: 22~14AWG

IEC Standard

Pollution Degree	3	2	2
Overvoltage Category	III	III	II
Rate Impulse Voltage(KV)	/	/	/
Rate Voltage(V)	/	250V	/
Rate Current(A)	/	15A	/

1. Torque value: M3, 0.5Nm
3.wire range: 1.0-2.5mm²

NOTES 2:
1.Housing: PA66(UL94V-0)
2.Solder Pin: Copper alloy(Sn Plated)
3.Spring: Stainless Steel
4.Screw: Steel(M3,Zn Plated)

NOTES 3:
1.Pitch: 5.0mm Poles: 02-24P
2.Stripping length: 5-6mm
3.Operating temperature: -40℃~+105℃
4.RoHS Compliance

How to order
MX300 - 5.0 - XXP - XXXX - XX - X - X

产品型号 间距 颜色 极数
 灰色:GY 橙色:OE 02-99: 01:常规颜色
 蓝色:BU 红色:RD 定制颜色
 黑色:BK 透明色:TT
 绿色:GN 黄色:YW
 白色:WE

颜色: 01:常规颜色
 0.Y-一字螺丝
 1.S-十字螺丝
 A-Z其他定制
 Cu-铜方块
 Fe-铁方块
 2.P.S-平头十字螺丝

Pitch Range In mm	Nominal Dimension Range In mm					Over 150	Over 0.1/10
	Over 6	Over 10	Over 24	Over 30	Over 60		
TO 6	TO 10	TO 24	TO 30	TO 60	TO 100	TO 150	TO 150
±0.15	±0.20	±0.30	±0.30	±0.50	±0.70	±1.00	±1.30

ITEM	NAME OF PART	NO. OF PART	Q'TY	MATERIAL	NOTE
DWG.	CHK	DATE	UNITS	MM	SHEET/OF
APP.	DATE	SCALE	1:1	A4	1/1
CXI MAIXU ELECTRONICS CO.,LTD. MAIXU 慈溪市迈旭电子有限公司					NAME
MX300-5.0-XXP					DWGNO.