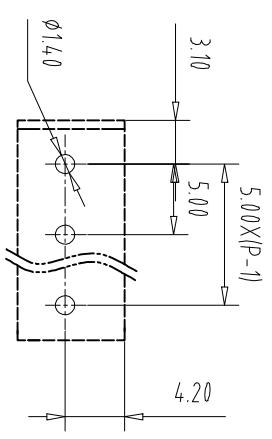
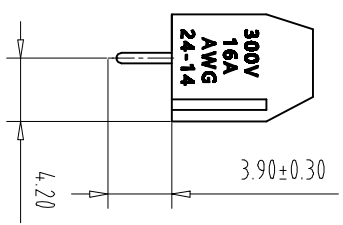
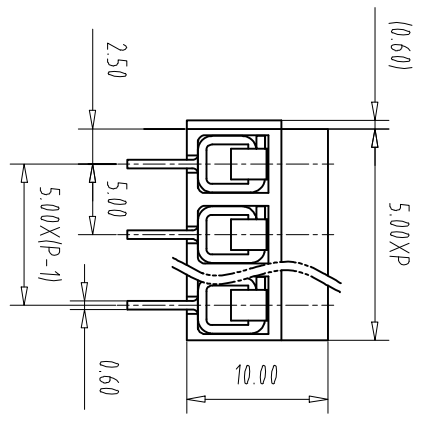
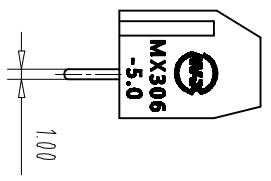
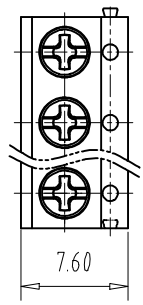


注: 本资料禁止传输、复制、编辑或修改, 以及用其内容进行复制或



REV	ECN NO.	CONTENT	CHK	DATE

NOTES 1:
 UL Standard
 1.Rating voltage/current: 300V/16A
 2.withstanding voltage: AC2000V/1Min
 3.Torque value: M2.5, 3.54Lbin
 4.Wire range: 24~14AWG
 IEC Standard

Pollution Degree	3	2	2
Overvoltage Category	III	III	II
Rate Impulse Voltage(KV)	/	/	/
Rate Voltage(V)	/	250V	/
Rate Current(A)	/	15A	/

2. Torque value: M2.5, 0.4Nm
 3.wire range: 0.75~1.5mm²

NOTES 2:
 1.Housing: PA66(UL94V-0)
 2.Solder Pin: Copper alloy(Sn Plated)
 3.Spring: Stainless Steel
 4.Screw: Steel(M2.5,Zn Plated)

NOTES 3:
 1.Pitch: 5.0mm Poles: 02-24P
 2.Stripping length: 5-6mm
 3.Operating temperature: -40℃~+105℃
 4.RoHS Compliance

How to order
 MX306 - 5.0 - XXP - XXXX - X - X - X
 产品型号 间距 颜色 极数
 灰色:GY 本色:OE 01:常规颜色
 蓝色:BU 红色:RD 定制颜色
 黑色:BK 透明色:TT
 绿色:GN 黄色:YW 白色:WE
 A-Z其他定制
 0-Y一字螺丝
 1-S十字螺丝
 Cu:铜方块 2-P平头十字螺丝
 Fe:铁方块

Pitch Range In mm		Nominal Dimension Range In mm		Pitch Range In mm		Nominal Dimension Range In mm		
Over 6	Over 10	Over 10	Over 30	Over 60	Over 100	Over 150	Over 150	
TO 6	TO 10	TO 24	TO 30	TO 60	TO 100	TO 150	TO 150	
±0.15	±0.20	±0.30	±0.30	±0.50	±0.70	±1.00	±1.30	
							0.1/10	±2°

ITEM	NAME OF PART	NO OF PART	Q'TY	MATERIAL	NOTE
DWG	CHK	DATE	UNITS	MM	SHEET/OF
		22.09.14		1:1	1/1
APP	DATE		SCALE	A4	1/1
CIXI MAIXU ELECTRONICS CO.,LTD.					NAME
MAIXU 慈溪市迈旭电子有限公司					MX306-5.0-XXP
DWGNO.					