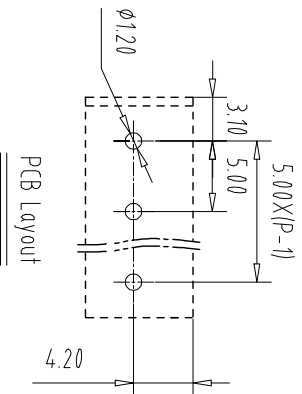
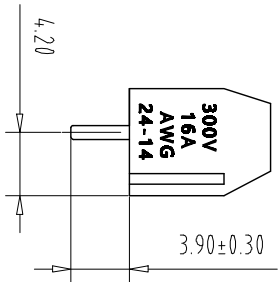
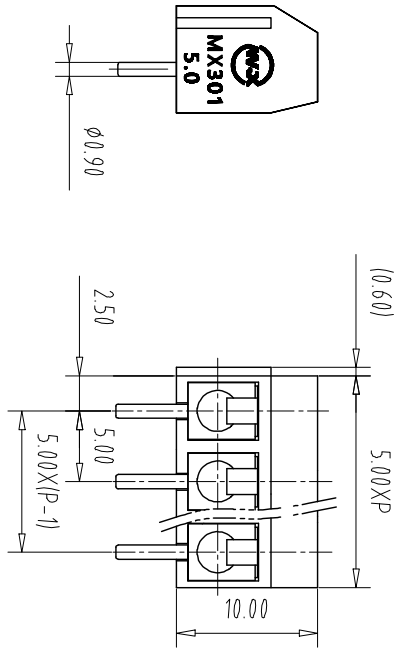
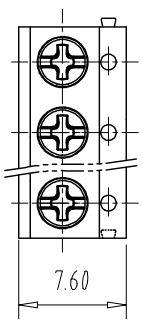


注: 本资料禁止传输、复制、编辑或修改, 以及用其内容进行标注



REV	ECIN NO.	CONTENT	CHK	DATE

NOTES 1:
UL Standard
1. Rating voltage/current: 300V/16A
2. withstanding voltage: AC2000V/1Min
3. Torque value: M2.5, 3.54LbIn
4. Wire range: 24~14AWG

IEC Standard

Pollution Degree	3	2	2
Overvoltage Category	III	III	II
Rate Impulse Voltage(KV)	/	/	/
Rate Voltage(V)	/	250V	/
Rate Current(A)	/	17.5A	/

2. Torque value: M2.5, 0.4Nm
3. wire range: 0.75~1.5mm²

NOTES 2:

- 1.Housing: PA66(UL94V-0)
- 2.Solder Pin: Copper alloy(Sn Plated)
- 3.Spring: Stainless Steel
- 4.Screw: Steel(M2.5,Zn Plated)

NOTES 3:

- 1.Pitch: 5.0mm Poles: 02-22P
- 2.Stripping length: 6-7mm
- 3.Operating temperature: -40℃~+105℃
- 4.RoHS Compliance

How to order

MX301 - 50 - XXP - XXXX - XX - X - X
 产品型号 间距 颜色 极数
 颜色: 01: 绝缘颜色
 灰色:GY 推色:OE 02-99:
 蓝色:BU 红色:RD 定制颜色
 黑色:BK 透明色:TT
 绿色:GN 黄色:YW
 白色:WE

A-Z其他定制
 0:Y一字螺丝
 1:S十字螺丝
 2:P.S平头十字螺丝
 Cu:铜方块
 Fe:铁方块

Pitch Range In mm		Nominal Dimension Range In mm		Nominal Dimension Range	
Over 6	Over 10	Over 30	Over 60	Over 100	Over 150
TO 6	TO 10	TO 24	TO 30	TO 60	TO 100
±0.15	±0.20	±0.30	±0.30	±0.50	±0.70
±0.30	±0.50	±1.00	±1.00	±1.30	±2°

ITEM	NAME OF PART	NO. OF PART	Q'TY	MATERIAL	NOTE
DWG.	CHK	DATE	UNITS	MM	SHEET/OF
APP.	DATE	SCALE	1:1	A4	1/1
(CIXI) MAIXU ELECTRONICS CO.,LTD. 慈溪市迈旭电子有限公司					NAME
22.09.14 DATE DATE DATE					MX301-5.0-XXP
22.09.14 DATE					DWGNO.