

注: 本图只作禁止传输、复制、编辑、修改、以及用其内容进行建模

REV	ECN NO.	CONTENT	CHK	DATE

NOTES:
UL Standard

Use group	B	C	D
Rated Current	10A	/	10A
Rated Voltage	300V	/	300V

NOTES:
IEC Standard
2. Wire range: 28~12AWG

Pollution Degree	3	2	2
Overvoltage Category	III	II	II
Rate Impulse Voltage(KV)	/	4.0KV	/
Rate Voltage(V)	/	320V	/
Rate Current(A)	/	12A	/

NOTES2:

- 1.Housing: PA66 (UL94V-0)
- 2.Cover: PA66 (UL94V-0)
- 3.Button: POM
- 4.Conductor: Copper alloy (Ni Plated)
- 5.Spring: Stainless Steel

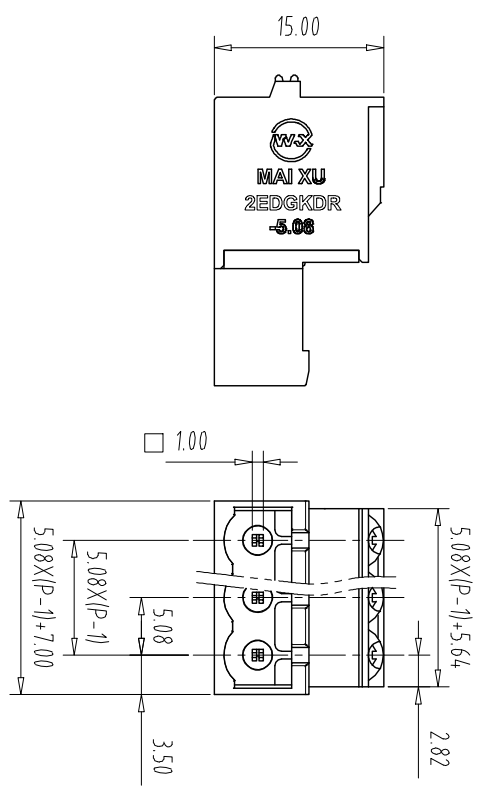
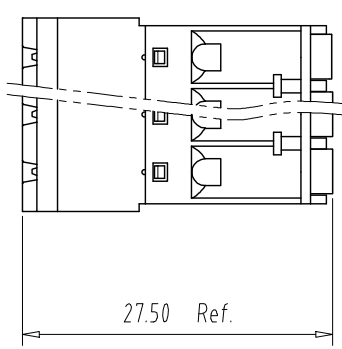
NOTES3:

- 1.Pitch: 5.08mm Poles: 02-24P
- 2.Stripping length: 9-10mm
- 3.Operating temperature: -40℃~+105℃
- 4.RoHS Compliance

How to order

MXZEDGKDR - 508 - XXP - XXXX - XX - X

产品型号 间距 颜色: 极数 01:常频颜色
 本色:GY 橙色:OE 02-99:
 蓝色:BU 红色:RD 定制颜色
 黑色:BK 透明色:TT
 绿色:GN 黄色:YW
 白色:WE
 A-Z其他定制
 Cu 铜
 Fe-铁



Pitch Range In mm	Nominal Dimension In mm	Range
Over 6	Over 10	Over 30
TO 6	TO 10	TO 30
Over 10	Over 24	Over 60
TO 10	TO 24	TO 60
Over 150	Over 150	Over 150
TO 150	TO 150	TO 150
±0.15	±0.20	±0.30
±0.20	±0.30	±0.50
±0.30	±0.50	±0.70
±0.50	±0.70	±1.00
±1.00	±1.30	±2°

ITEM	NAME OF PART	NO. OF PART	Q'TY	MATERIAL	NOTE
DWG.	CHK	DATE	UNITS	MM	1/1
CHK	DATE	SCALE	SCALE	A4	1/1
APP.	DATE	NAME	NAME		
CIXI MAIXU ELECTRONICS CO.,LTD. 慈溪市迈旭电子有限公司			DWGNO.		