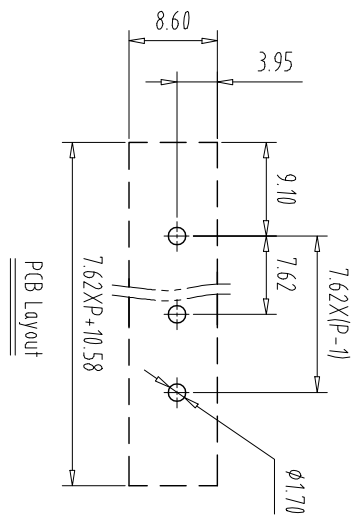
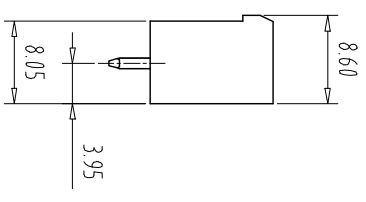
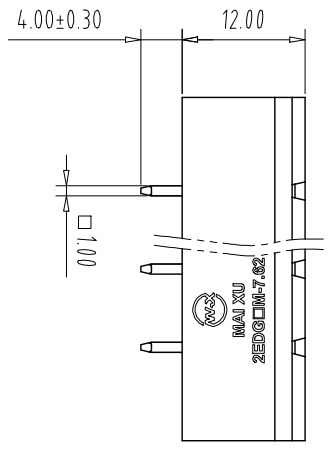
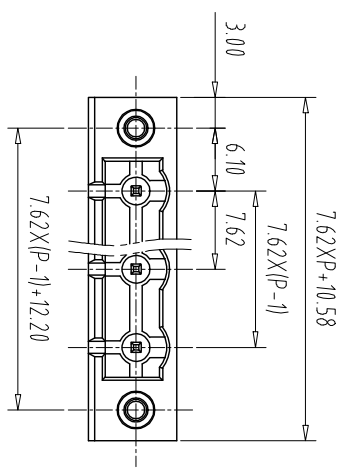


注: 本型产品禁止运输、复制、编辑被控, 以及用其内容进行交流



Pitch Range In		Nominal Dimension Range	
mm		In mm	
Over	6	Over	10
TO	10	TO	24
Over	30	Over	60
TO	60	TO	100
Over	100	Over	150
TO	150	Over	150

Nominal Dimension Range		Pitch Range In	
mm		In mm	
Over	150	Over	6
TO	150	TO	10
Over	150	Over	24
TO	150	TO	30
Over	150	Over	60
TO	150	TO	100
Over	150	Over	100
TO	150	TO	150

REV	ECN NO.	CONTENT	CHK	DATE

NOTES1:
UL Standard

Use group	B	C	D
Rated Current	15A	/	10A
Rated Voltage	300V	/	300V

NOTES2:
IEC Standard
2. withstanding voltage: AC1600V/1Min

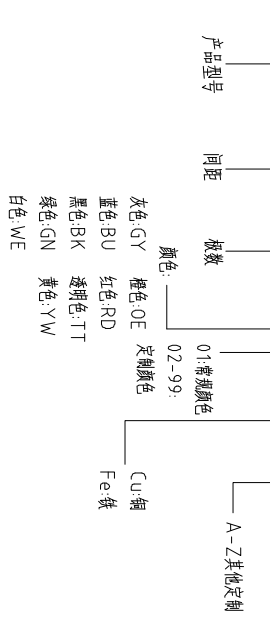
Pollution Degree	3	2	2
Overvoltage Category	III	III	II
Rate Impulse Voltage(kV)	/	4.0kV	/
Rate Voltage(V)	/	400V	/
Rate Current(A)	/	15A	/

NOTES2:
1. Housing: PA66 (UL94V-0)
2. Solder Pin: Brass (Sn Plated)
3. Nut: Brass (M2.5)

NOTES3:
1. Pitch: 7.62mm Poles: 02-24P
2. Operating temperature: -40°C ~ +105°C
3. RoHS Compliance

How to order

MX2EDGM - 7.62 - XXP - XXXX - X - X



ITEM	NAME OF PART	NO. OF PART	Q'TY	MATERIAL	NOTE
DWG.	CHK	DATE	23.06.20	MM	1/1
CHK	DATE	SCALE	1:1	A4	1/1
APP.	DATE	NAME	MX2EDGM-7.62-XXP		

慈溪市迈旭电子有限公司
CIXI MAIXU ELECTRONICS CO.,LTD.

DWGNO. 1