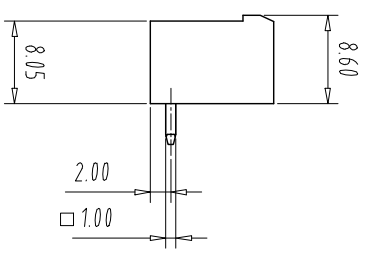
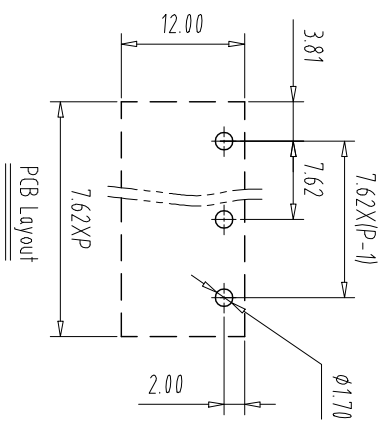
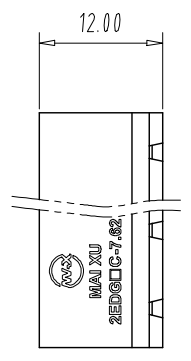
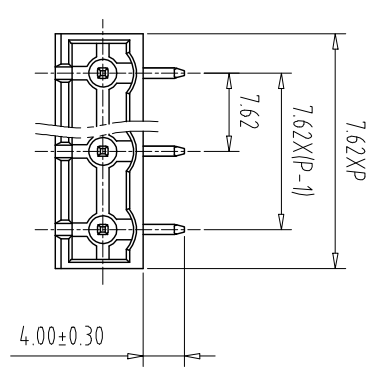


注：本图禁止传输、复制、编辑、修改，以及用其内容建设性。



REV	ECN NO.	CONTENT	CHK	DATE

NOTES1:
UL Standard

1 Use group	B	C	D
Rated Current	15A	/	10A
Rated Voltage	300V	/	300V

2. withstanding voltage: AC1600V/1Min
IEC Standard

1 Pollution Degree	3	2	2
Overvoltage Category	III	II	II
Rate Impulse Voltage(KV)	/	4.0KV	/
Rate Voltage(V)	/	400V	/
Rate Current(A)	/	15A	/

NOTES2:

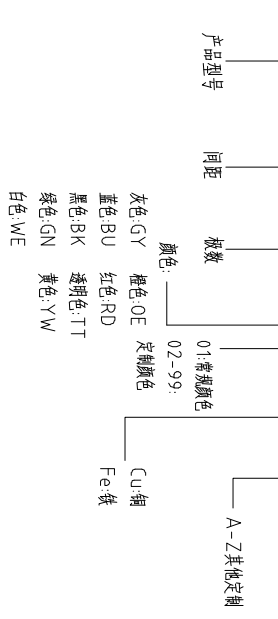
- 1.Housing: PA66 (UL94V-0)
- 2.Solder Pin: Brass (Sn Plated)

NOTES3:

- 1.Pitch: 7.62mm Poles: 02-24P
- 2.Operating temperature: -40℃~+105℃
- 3.RoHS Compliance

How to order

MX2EDGRC - 7.62 - XXP - XXXX - X - X



Pitch Range In mm		Nominal Dimension Range In mm		Nominal Dimension Range	
Over 6	Over 10	Over 30	Over 60	Over 100	Over 150
TO 6	TO 10	TO 30	TO 60	TO 100	TO 150
±0.15	±0.20	±0.30	±0.30	±0.50	±1.30
±0.30	±0.70	±1.00	±1.30	±2°	

ITEM	NAME OF PART	NO. OF PART	Q'TY	MATERIAL	NOTE
DWG.	CHK	DATE	UNITS	MM	1/1
APP.	DATE	SCALE	SCALE	A4	1/1
CIXI MAIXU ELECTRONICS CO.,LTD.			MX2EDGRC-7.62-XXP		
慈溪市迈旭电子有限公司			DWGNO.		