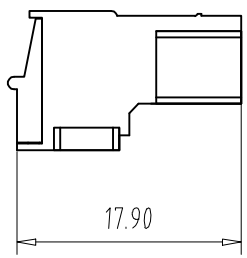
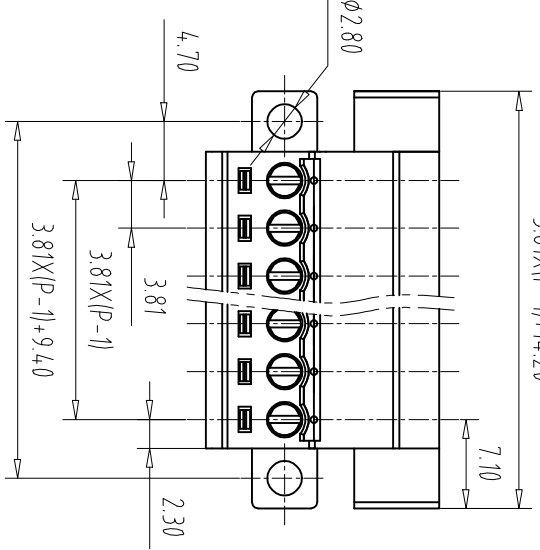
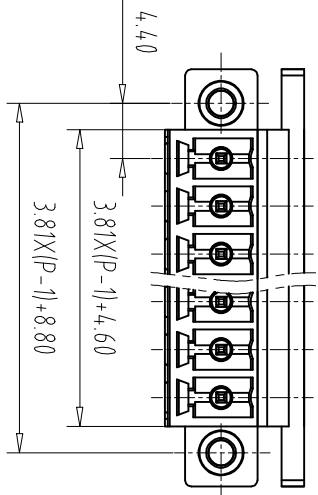


注: 本型产品禁止传输、复制、编辑、修改、以及用其内容进行建设性活动



NOTES1:

UL Standard	1	2	3	4
Use group	B	C	D	
Rated Current	8A	/	8A	
Rated Voltage	300V	/	300V	

2. Torque value: M2.0, 1.77Lb.in  
3. Wire range: 28~16AWG

IEC Standard

Pollution Degree	3	2	2
Overvoltage Category	III	II	II
Rate Impulse Voltage(KV)	2.5KV	2.5KV	2.5KV
Rate Voltage(V)	160V	160V	250V
Rate Current(A)	7A	7A	7A

2. Torque value: M2, 0.2Nm  
3. wire range: 0.2~1.5mm<sup>2</sup>

NOTES2:

- 1.Housing: PA66 (UL94V-0)
- 2.Cover: PA66 (UL94V-0)
- 3.Cage: Brass (Ni Plated)
- 4.Conductor: Copper alloy (Sn Plated)
- 5.Screw: Steel (M2.0,Zn Plated)
- 6.Nut: Brass

NOTES3:

- 1.Pitch: 3.81mm Poles: 02-24P
- 2.Stripping length: 7-8mm
- 3.Operating temperature: -40℃~+105℃
- 4.RoHS Compliance

How to order

MX15EDGRKPF - 3.81 - XXP - XXXX - XX - X - X



Pitch Range In mm		Nominal Dimension Range In mm		Pitch Range In mm	
Over 6	Over 10	Over 30	Over 60	Over 100	Over 150
TO 6	TO 10	TO 30	TO 60	TO 100	TO 150
±0.15	±0.20	±0.30	±0.50	±0.70	±1.00
±0.30	±0.30	±0.50	±0.70	±1.00	±1.30
					±2°

ITEM	NAME OF PART	NO. OF PART	Q'TY	MATERIAL	NOTE
DWG.	CHK	DATE	DATE	SCALE	1:1
APP.	DATE			A4	1/1

NAME	NAME	NAME
CIXI MAIXU ELECTRONICS CO.,LTD.	MX15EDGRKPF-3.81-XXP	DWGNO.
慈溪市迈旭电子有限公司		