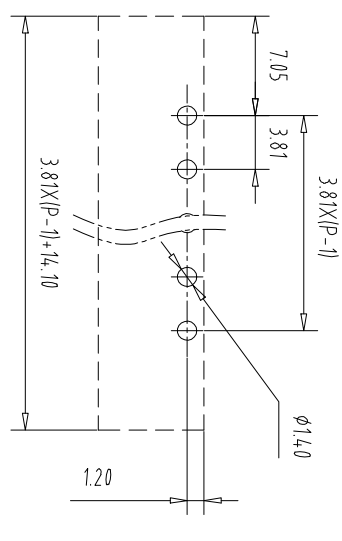
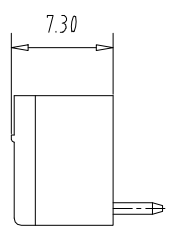
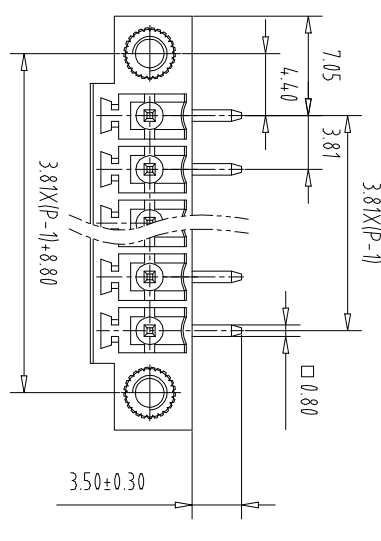
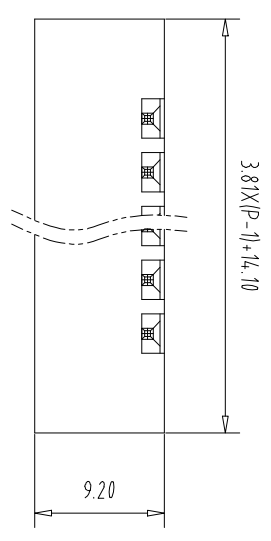


注: 本资料禁止传输、复制、编辑、修改, 以及附具内容被修改

REV	ECN NO.	CONTENT	CHK	DATE



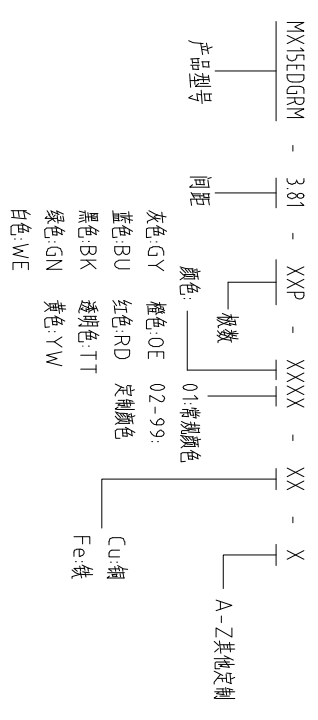
1. Pollution Degree	3	2	2
Overvoltage Category	III	III	II
Rate Impulse Voltage(KV)	2.5KV	2.5KV	2.5KV
Rate Voltage(V)	160V	160V	250V
Rate Current(A)	7A	7A	7A

NOTES1:  
 UL Standard  
 1.Rating voltage/current: 300V/8A  
 2.withstanding voltage: AC2000V/1Min  
 IEC Standard

NOTES2:  
 1.Housing: PA66 (UL94V-0)  
 2.Solder Pin: Brass (Sn Plated)  
 3.Nut: Brass (M2.5)

NOTES3:  
 1.Pitch: 3.81mm Poles: 02-24P  
 2.Operating temperature: -40℃~+105℃  
 3.RoHS Compliance

How to order



Pitch Range In mm	Nominal Dimension Range				Over 150	0.1/10		
	Over 6 TO 10	Over 10 TO 24	Over 30 TO 60	Over 60 TO 100				
±0.15	±0.20	±0.30	±0.30	±0.50	±0.70	±1.00	±1.30	±2°

ITEM	NAME OF PART	NO OF PART	Q'TY	MATERIAL	NOTE
DWG	CHK	DATE	UNITS	MM	SHEET/OF
APP	DATE	SCALE	1:1	A4	1/1
CIXI MAIXU ELECTRONICS CO.,LTD.		NAME		MX15EDGRM-3.81-XXP	
MAIXU 慈溪市迈旭电子有限公司		DWGNO.			