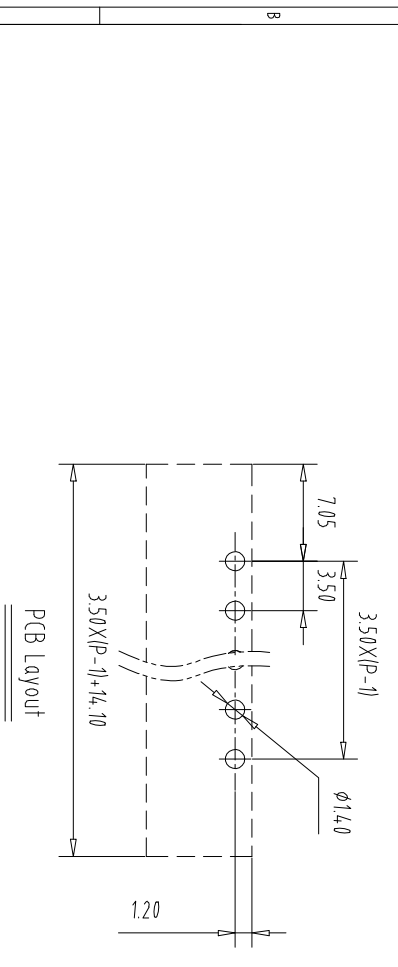
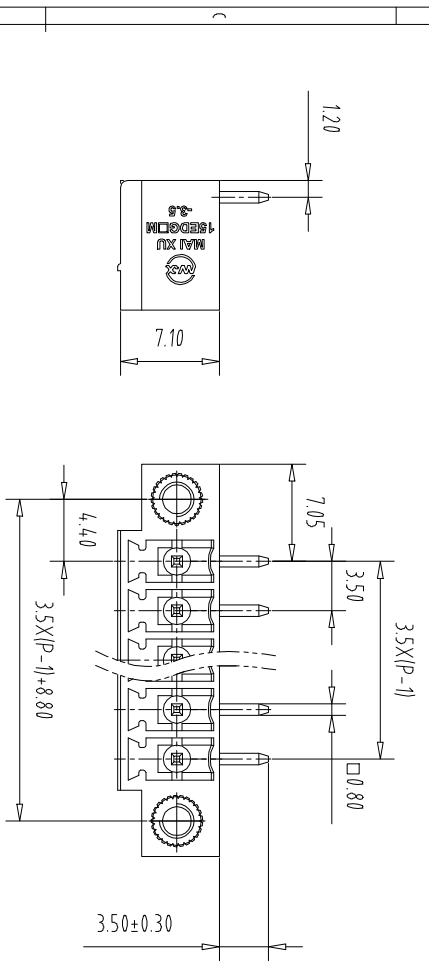
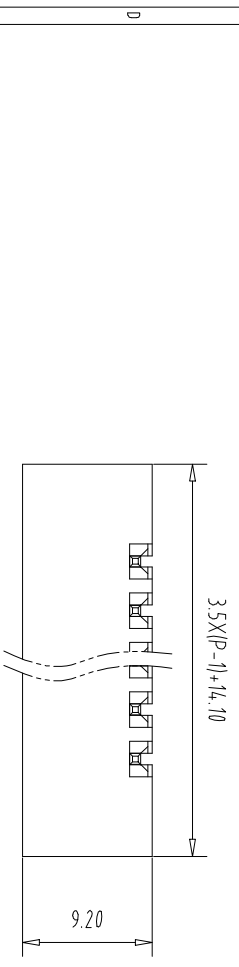


注: 本资料禁止传输、复制、编辑或存档, 以及用其内容进行交流

REV	ECN NO.	CONTENT	CHK	DATE



NOTES1:
 UL Standard
 1.Rating voltage/current: 300V/8A
 2.withstanding voltage: AC2000V/1Min
 IEC Standard

1. Pollution Degree	3	2	2
Overvoltage Category	III	III	II
Rate Impulse Voltage(KV)	2.5KV	2.5KV	2.5KV
Rate Voltage(V)	160V	160V	250V
Rate Current(A)	7A	7A	7A

NOTES2:
 1.Housing: PA66 (UL94V-0)
 2.Solder Pin: Brass (Sn Plated)
 3.Nut: Brass (M2.5)

NOTES3:
 1.Pitch: 3.5mm Poles: 02-24P
 2.Operating temperature: -40°C~+105°C
 3.RoHS Compliance

How to order

MX15EDGRM - 3.5 - XXP - XXXX - XX - X
 产品型号 间距 颜色: 01: 带架颜色
 颜色: 灰色: GY 橙色: OE 02-99:
 蓝色: BU 红色: RD 定制颜色
 黑色: BK 透明色: TT
 绿色: GN 黄色: YW
 白色: WE
 Cu: 铜
 Fe: 铁
 A-Z其他定制

Pitch Range In mm		Nominal Dimension Range In mm		Pitch Range In mm		Nominal Dimension Range In mm		
Over 6	Over 10	Over 10	Over 30	Over 60	Over 100	Over 150	Over 150	
TO 6	TO 10	TO 24	TO 30	TO 60	TO 100	TO 150	TO 150	
±0.15	±0.20	±0.30	±0.30	±0.50	±0.70	±1.00	±1.30	
							0.1/10	±2°

ITEM	NAME OF PART	NO. OF PART	Q'TY	MATERIAL	NOTE
DWG.	CHK	DATE	UNITS	MM	SHEET/OF
APP.	DATE	SCALE	1:1	A4	1/1
NAME					
MX15EDGRM-3.5-XXP					

慈溪市迈旭电子有限公司
 MAIXU ELECTRONICS CO.,LTD.



DWGNO.