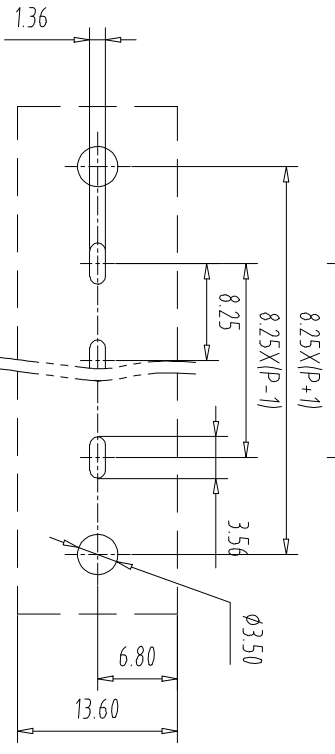
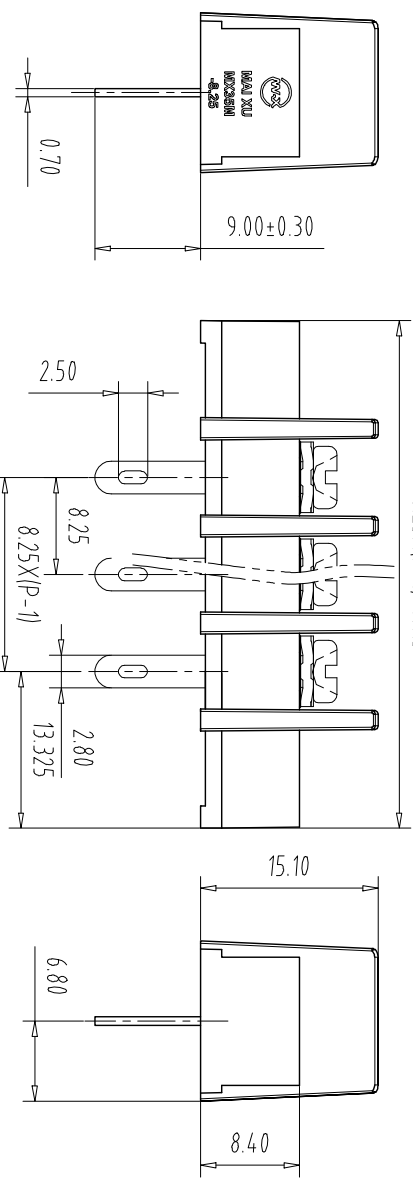
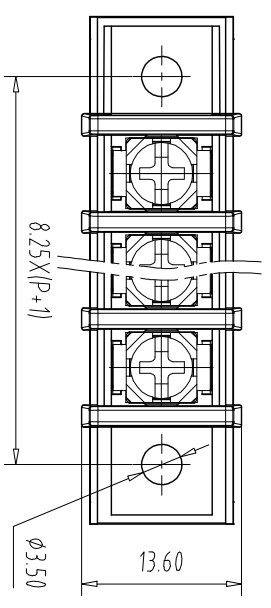


注：本板为禁止传输、复制、编辑、修改、以及用其内容进行交流



PCB Layout

| Pitch Range In mm | Nominal Dimension In mm | Over 6 TO | Over 10 TO | Over 24 TO | Over 30 TO | Over 60 TO | Over 100 TO | Over 150 TO |
|-------------------|-------------------------|-----------|------------|------------|------------|------------|-------------|-------------|
| ±0.15 | ±0.20 | ±0.30 | ±0.30 | ±0.50 | ±0.70 | ±1.00 | ±1.30 | ±2* |

| REV | ECN NO. | CONTENT | CHK | DATE |
|-----|---------|---------|-----|------|
| | | | | |

NOTES:
UL Standard

| 1. Use group | B | C | D |
|---------------|------|---|---|
| Rated Current | 20A | / | / |
| Rated Voltage | 300V | / | / |

2. Torque value: M3, 4, 4.3Lb.in
3. Wire range: 22~12AWG

IEC Standard

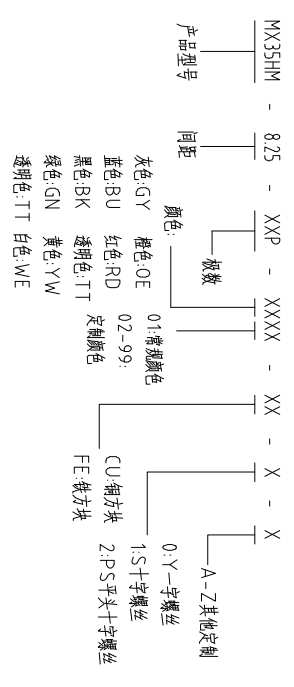
| 1. Pollution Degree | 3 | 2 | 2 |
|--------------------------|-----|------|-------|
| Overvoltage Category | III | III | II |
| Rate Impulse Voltage(KV) | / | / | / |
| Rate Voltage(V) | / | 400V | / |
| Rate Current(A) | / | / | 17.5A |

NOTES2:
1. Housing: PA66(UL94V-0)
2. Solder Pin: Copper alloy(Sn Plated)
3. Screw: Steel(M3,Ni Plated)

NOTES3:

1. Pitch: 8.25mm Poles: 02 -24P
2. Stripping length: 8mm
3. Operating temperature: -40°C~+105°C
4. RoHS Compliance

How to order



| ITEM | NAME OF PART | NO. OF PART | Q'TY | MATERIAL | NOTE |
|--------------------------------|--------------|-------------|-----------------|----------|------|
| DWG | CHK | DATE | SCALE | SHEET/OF | 1/1 |
| APP | DATE | | 1:1 | A4 | |
| CIXI MAIXU ELECTRONICS CO.,LTD | | | MX35HM-8.25-XXP | | |
| 东莞市迈旭电子有限公司 | | | DWGNO. | | |