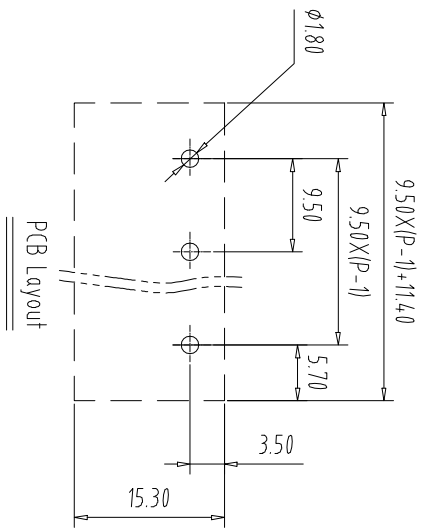
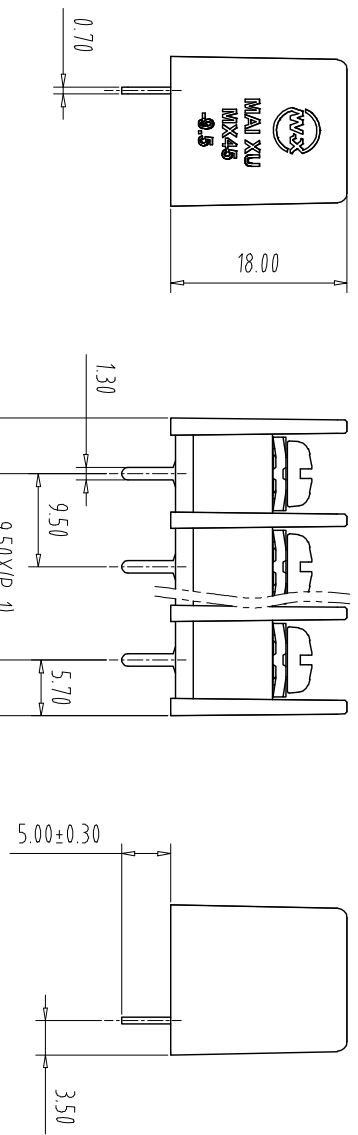
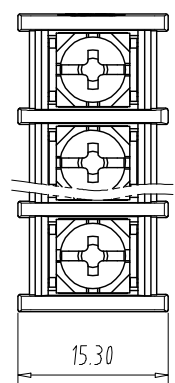


注: 本图禁止传输、复制、编辑、修改, 以及用其内容建立新图



| Pitch Range In mm | | Nominal Dimension In mm | | Pitch Range | |
|-------------------|---------|-------------------------|---------|-------------|----------|
| Over 6 | Over 10 | Over 30 | Over 60 | Over 100 | Over 150 |
| TO 6 | TO 10 | TO 30 | TO 60 | TO 100 | TO 150 |
| ±0.15 | ±0.20 | ±0.30 | ±0.30 | ±0.50 | ±0.70 |
| | | | | | ±1.00 |
| | | | | | ±1.30 |
| | | | | | ±2° |

| REV | ECN NO. | CONTENT | CHK | DATE |
|-----|---------|---------|-----|------|
| | | | | |

NOTES 1:
UL Standard

| 1 Use group | B | C | D |
|---------------|------|---|---|
| Rated Current | 20A | / | / |
| Rated Voltage | 300V | / | / |

- 2. Torque value: M4, 10.53Lb.in
- 3. Wire range: 22~12AWG

IEC Standard

| 1 Pollution Degree | 3 | 2 | 2 |
|--------------------------|-----|------|----|
| Overvoltage Category | III | II | II |
| Rate Impulse Voltage(KV) | / | 4 | / |
| Rate Voltage(V) | / | 400V | / |
| Rate Current(A) | / | 24A | / |

- 2. Torque value: M4, 1.2Nm
- 3. wire range: 0.5-4.0mm²

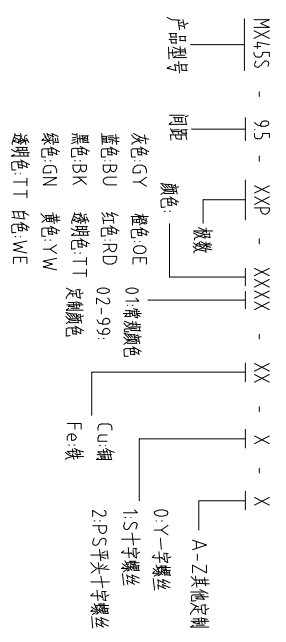
NOTES 2:

- 1. Housing: PA66(UL94V-0)
- 2. Solder Pin: Copper alloy(Sn Plated)
- 3. Screw: Steel(M4, Ni Plated)

NOTES 3:

- 1. Pitch: 9.50mm Poles: 02-24P
- 2. Operating temperature: -40°C~+105°C
- 3. RoHS Compliance

How to order



| ITEM | NAME OF PART | NO. OF PART | Q'TY | MATERIAL | NOTE |
|--------|--------------|-------------|-------|----------|---------------|
| DWG. | CHK | DATE | DATE | UNITS | MM |
| APP. | DATE | SCALE | SCALE | SHEET/OF | 1/1 |
| NAME | | | | | MX455-9.5-XXP |
| DWGNO. | | | | | |

慈溪市迈旭电子有限公司
CIXI MAIXU ELECTRONICS CO.,LTD.