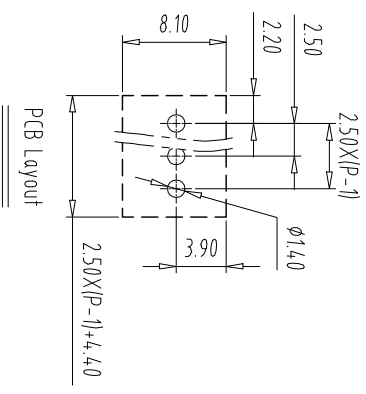
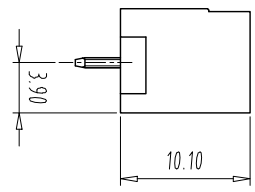
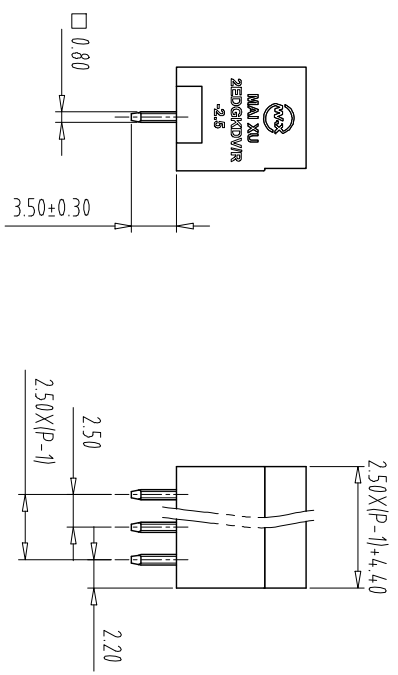
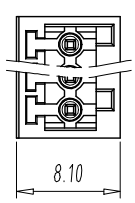


注: 本板为禁止转输、复制、编辑文件, 以及用其内容进行交流



REV	ECN NO.	CONTENT	CHK	DATE

NOTES1:  
UL Standard

1	Use group	B	C	D
1	Rated Current	5A	/	/
2	Rated Voltage	150V	/	/

2. withstanding voltage: AC1300V/1Min  
IEC Standard

1	Pollution Degree	3	2	2
1	Overvoltage Category	III	III	II
2	Rate Impulse Voltage(KV)	1.5KV	2.5KV	2.5KV
3	Rate Voltage(V)	80V	160V	200V
4	Rate Current(A)	5A	5A	5A

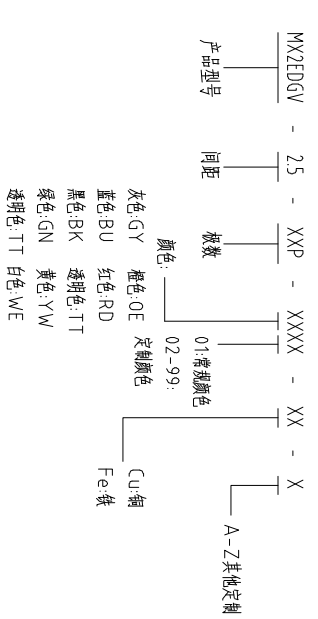
NOTES2:

- 1.Housing: PA66 (UL94V-0)
- 2.Solder Pin: Brass (Sn Plated)

NOTES3:

- 1.Pitch: 2.5mm Poles: 02-24P
- 2.Operating temperature: -40℃~+105℃
- 3.RoHS Compliance

How to order



Pitch Range In mm	Nominal Dimension Range In mm					
	Over 6 TO	Over 10 TO	Over 24 TO	Over 30 TO	Over 60 TO	Over 100 TO
±0.15	±0.20	±0.30	±0.30	±0.50	±0.70	±1.00
Over 6 TO	Over 10 TO	Over 24 TO	Over 30 TO	Over 60 TO	Over 100 TO	Over 150 TO
±0.15	±0.20	±0.30	±0.30	±0.50	±0.70	±1.00
±0.15	±0.20	±0.30	±0.30	±0.50	±0.70	±1.00
±0.15	±0.20	±0.30	±0.30	±0.50	±0.70	±1.00

ITEM	NAME OF PART	NO. OF PART	Q'TY	MATERIAL	NOTE
DWG	CHK	DATE	SCALE	SHEET/OF	1/1
APP	DATE	SCALE	NAME		
CIXI MAXXU ELECTRONICS CO.,LTD			MX2EDGV-2.5-XXP		
MAXXU 慈溪市迈旭电子有限公司			DWGNO.		