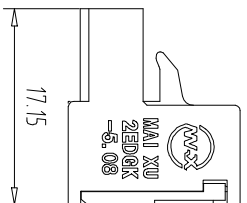
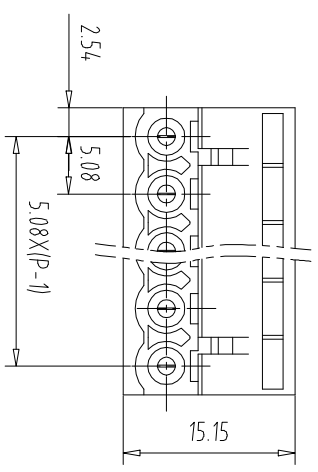
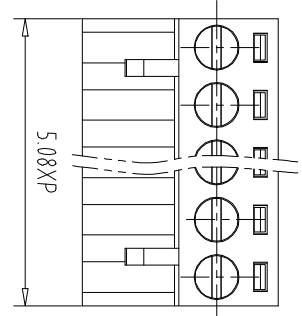
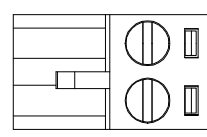


注：本板为禁止运输、复制、翻印文件，以及用其内容进行交流



NOTES1:

UL Standard

1 Use group	B	C	D
Rated Current	15A	/	10A
Rated Voltage	300V	/	300V

2 Torque value: M2.5, 3.54Lbin

3 Wire range: 28~12AWG

IEC Standard

1 Pollution Degree	3	2	2
Overvoltage Category	III	III	II
Rate Impulse Voltage(KV)	/	4.0KV	/
Rate Voltage(V)	/	320V	/
Rate Current(A)	/	15A	/

2 Torque value: M2.5, 0.4Nm

3 wire range: 0.2~2.5mm²

NOTES2:

1 Housing: PA66 (UL94V-0)

2 Cover: PA66 (UL94V-0)

3 Cage: Brass (Ni Plated)

4 Clamp: Copper alloy (Ni Plated)

5 Screw: Steel (M2.5,Zn Plated)

NOTES3:

1 Pitch: 5.08mm Poles: 02-24P

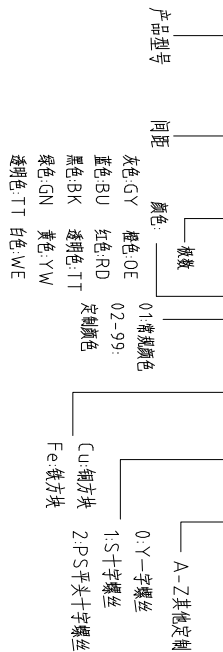
2 Stripping length: 7-8mm

3 Operating temperature: -40℃~+105℃

How to order

4 RoHS Compliance

MX2EDGK - 5.08 - XXP - XXXX - XX - X - X



Pitch Range In mm	Nominal Dimension Range In mm						- / □	0.1/10	□
	Over 6	Over 10	Over 30	Over 60	Over 100	Over 150			
TO 6	TO 10	TO 24	TO 30	TO 60	TO 100	TO 150	TO 150	TO 150	
±0.15	±0.20	±0.30	±0.30	±0.50	±0.70	±1.00	±1.30	±2°	

ITEM	NAME OF PART	NO. OF PART	Q'TY	MATERIAL	NOTE
DWG	CHK	DATE	SCALE	SHEET/OF	1/1
APP	DATE	SCALE	1:1	A4	⊕
CIXI MAIXU ELECTRONICS CO.,LTD			MX2EDGK-5.08-XXP		
慈溪市迈旭电子有限公司			DWGNO.		