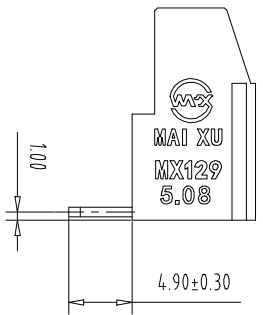
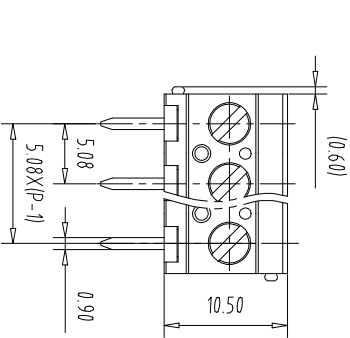
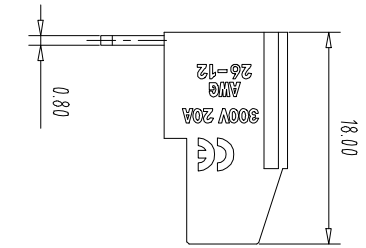
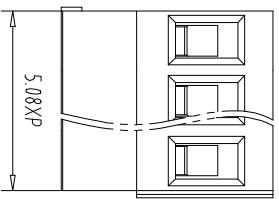


注: 本板为禁止传输、复制、编辑或修改, 以及用其内容进行交流

REV	ECN NO.	CONTENT	CHK	DATE
-----	---------	---------	-----	------



Pitch Range In  
Nominal Dimension Range

mm	Over	In mm	Over	Over	Over	Over	Over
TO 6	6	TO 10	10	TO 30	30	TO 60	60
TO 10	10	TO 24	24	TO 30	30	TO 60	60
±0.15	±0.20	±0.30	±0.30	±0.50	±0.50	±0.70	±1.00
						±1.30	±1.30
							±2°

NOTES1:

UL Standard

- 1. Rating voltage/current: 300V/20A
- 2. withstanding voltage: AC2000V/1Min
- 3. Torque value: M3, 4, 4.3Lb.in
- 4. Wire range: 26~12AWG

IEC Standard

Pollution Degree	1	2	3
Overvoltage Category	II	II	III
Rate Impulse Voltage(kV)	/	/	/
Rate Voltage(V)	/	250V	/
Rate Current(A)	/	20A	/

- 2. Torque value: M3, 0.5Nm
- 3. wire range: 0.5-2.5mm<sup>2</sup>

NOTES2:

- 1.Housing: PA66(UL94V-0)
- 2.Solder Pin: Copper alloy(Sn Plated)
- 3.Cage: Brass(Ni Plated)
- 4.Screw: Steel(M3,Zn Plated)

NOTES3:

- 1.Pitch: 5.08mm Poles: 02-24P
- 2.Stripping length: 8mm
- 3.Operating temperature: -40℃~+105℃
- 4.RoHS Compliance

How to order

MX129R - 508 - XXP - XXXX - XX - X - X

产品型号

间距

颜色

极数

01-常规颜色

A-Z其他定制

颜色:GY

颜色:OE

02-99:

0-Y一字螺丝

蓝色:BU

红色:RD

定制颜色

1-S一字螺丝

黑色:BK

透明色:TT

绿色:GN

2-P十字螺丝

黄色:YW

白色:WE

透明色:TT

Fe-轴方块

透明色:TT

白色:WE

Cu-轴方块

Fe-轴方块

ITEM	NAME OF PART	NO OF PART	Q'TY	MATERIAL	NOTE
DWG	CHK	DATE	DATE	MM	SHEET/OF 1/1
APP	DATE	SCALE	1:1	A4	⊕
CIXI MAIXU ELECTRONICS CO.,LTD			NAME	MX129R-5.08-XXP	
MAIXU 慈溪市迈旭电子有限公司			DWGNO.		