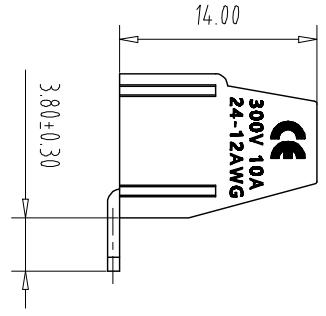
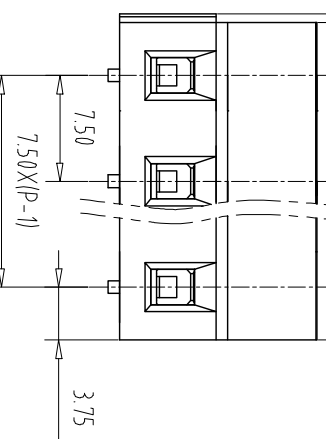
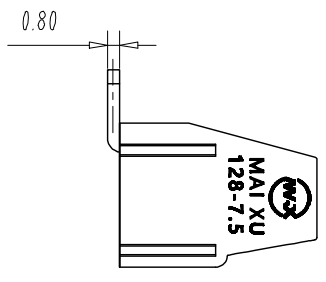
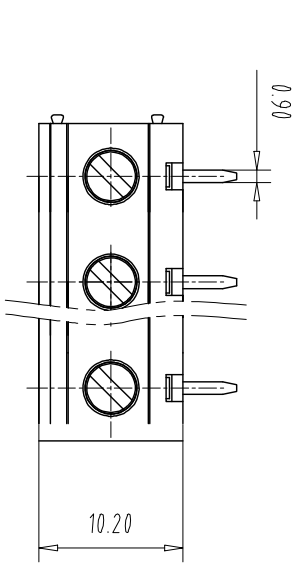


注：本板为禁止运输、复制、翻印文件，以及用其内容进行交流

REV	ECN NO.	CONTENT	CHK	DATE
-----	---------	---------	-----	------



NOTES1:
UL Standard
1.Rating voltage/current: 300V//10A
2.withstanding voltage: AC2500V//1Min
3.Torque value: M2.5, 3.54LbIn
4.Wire range: 24~12AWG

IEC Standard

1. Pollution Degree	3	2	2
Overvoltage Category	III	III	II
Rate Impulse Voltage(KV)	/	/	/
Rate Voltage(V)	/	400V	/
Rate Current(A)	/	15A	/

2. Torque value: M2.5, 0.4Nm
3.wire range: 10~2.5mm²

NOTES2:

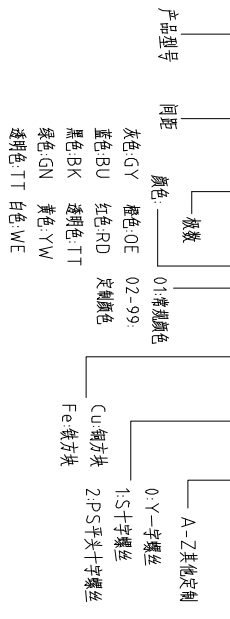
- 1.Housing: PA66(UL94V-0)
- 2.Solder Pin: Copper alloy(Sn Plated)
- 3.Cage: Brass(Ni Plated)
- 4.Screw: Steel(M2.5,Zn Plated)

NOTES3:

- 1.Pitch: 7.5mm Poles: 02-16P
- 2.Stripping length: 6-7mm
- 3.Operating temperature: -40℃~+105℃
- 4.RoHS Compliance

How to order

MX128R - 75 - XXP - XXXX - XX - X - X



Pitch	Range	In	Nominal Dimension	Range
mm		In	mm	

Over 6	Over 10	Over 24	Over 30	Over 60	Over 100	Over 150	Over 150	0.1/10
TO	TO	TO	TO	TO	TO	TO	TO	∠
6	10	24	30	60	100	150		
±0.15	±0.20	±0.30	±0.30	±0.50	±0.70	±1.00	±1.30	±2°

ITEM	NAME OF PART	NO. OF PART	Q'TY	MATERIAL	NOTE
DWG	CHK	DATE	SCALE	SHEET/OF	1/1
APP	DATE		1:1	A4	
CIXI MAIXU ELECTRONICS CO.,LTD			NAME	MX128R-7.5-XXP	
MAIXU 慈溪市迈旭电子有限公司			DWGNO.		