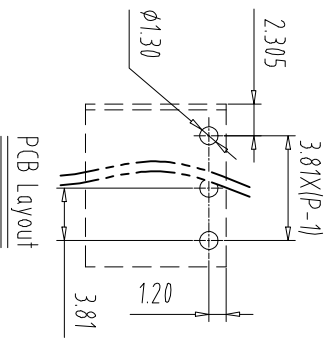
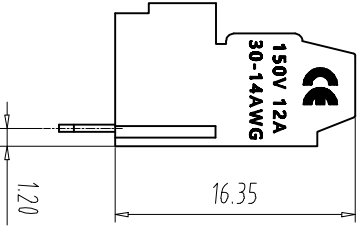
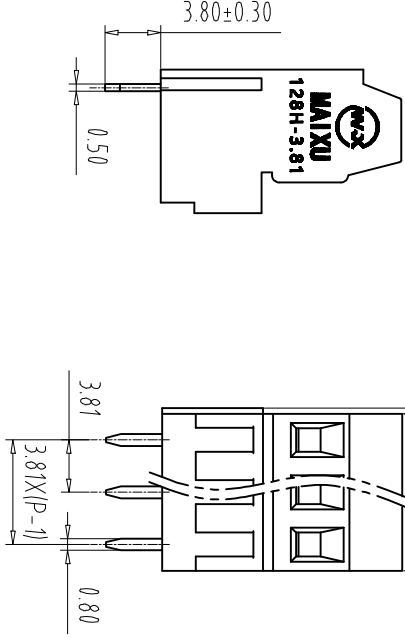
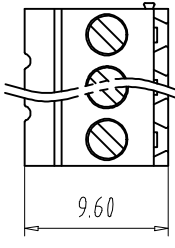


注：本板为禁止运输、复制、翻印文件，以及用其内容进行任何交流



REV	ECN NO.	CONTENT	CHK	DATE

NOTES1:  
 UL Standard  
 1.Rating voltage/current: 150V/12A  
 2.withstanding voltage: AC1600V/1Min  
 3.Torque value: M2, 1.77Lb.in  
 4.Wire range: 30~14AWG  
 IEC Standard

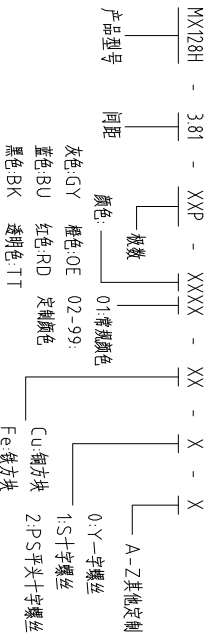
Pollution Degree	3	2	2
Overvoltage Category	III	II	II
Rate Impulse Voltage(KV)	2.5	2.5	2.5
Rate Voltage(V)	160V	200V	400V
Rate Current(A)	10A	10A	10A

NOTES2:  
 1.Housing: PA66(UL94V-0)  
 2.Solder Pin: Copper alloy(Sn Plated)  
 3.Cage: Brass(Ni Plated)  
 4.Screw: Steel(M2,Zn Plated)

NOTES3:

- 1.Pitch: 3.81mm Poles: 02-24P
- 2.Stripping length: 5-6mm
- 3.Operating temperature: -40℃~+105℃
- 4.RoHS Compliance

How to order



Pitch Range In mm	Nominal Dimension In mm	Range	Symbol					
Over 6	Over 10	Over 30	Over 60	Over 100	Over 150	0.1/10		
TO 6	TO 10	TO 24	TO 30	TO 60	TO 100	150		
±0.15	±0.20	±0.30	±0.30	±0.50	±0.70	±1.00	±1.30	±2°

ITEM	NAME OF PART	NO. OF PART	Q'TY	MATERIAL	NOTE
DWG	CHK	DATE	SCALE	SHEET/OF	1/1
APP	DATE	SCALE	A4	NAME	MX128H-3.81-XXP
CIXI MAIXU ELECTRONICS CO.,LTD					DWGNO.
MAIXU 慈溪市迈旭电子有限公司					