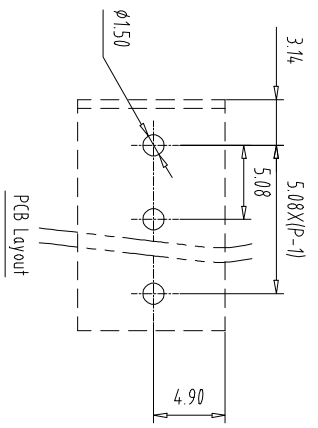
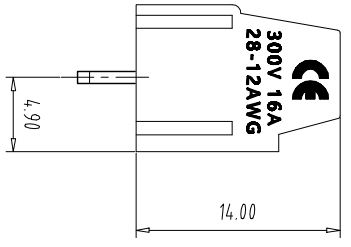
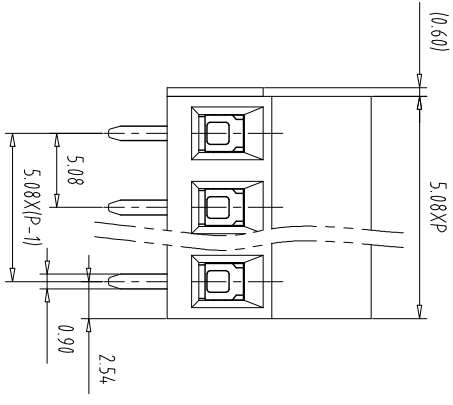
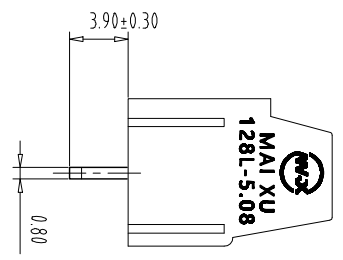
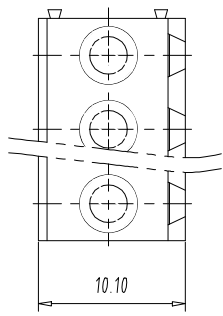


注：本板为禁止运输、复制、翻印文件，以及用其内容进行交流



REV	ECN NO.	CONTENT	CHK	DATE

NOTES1:
 UL Standard
 1.Rating voltage/current: 300V//16A
 2.withstanding voltage: AC1600V//1min
 3.Torque value: M2.5, 3.54Lb.in
 4.Wire range: 28~12AWG
 IEC Standard

Pollution Degree	3	2	2
Overvoltage Category	III	II	II
Rate Impulse Voltage(KV)	/	/	/
Rate Voltage(V)	/	400V	/
Rate Current(A)	/	15A	/

1. Torque value: M2.5, 0.4Nm
 2. Torque value: M2.5, 0.4Nm
 3.wire range: 2.5mm²

NOTES2:
 1.Housing: PA66(UL94V-0)
 2.Solder Pin: Copper alloy(Sn Plated)
 3.Cage: Brass(Ni Plated)
 4.Screw: Steel(M2.5,Zn Plated)

NOTES3:
 1.Pitch: 5.08mm Poles: 02-24P
 2.Stripping length: 6-7mm
 3.Operating temperature: -40℃~+105℃
 4.RoHS Compliance

How to order

MX128L - 508 - XXP - XXXX - XX - X - X
 产品型号 间距 颜色 板数 01:默认颜色 02-99:定制颜色
 灰色:GY 橙色:OE
 蓝色:BU 红色:RD
 黑色:BK 透明色:TT
 绿色:GN 黄色:YW
 透明色:TT 白色:WE
 A-Z其他定制
 0-Y一字螺丝
 1-S十字螺丝
 2-P平头十字螺丝
 Cu铜方块
 Fe铁方块

Pitch Range In mm	Nominal Dimension In mm	Over 6 TO	Over 10 TO	Over 24 TO	Over 30 TO	Over 60 TO	Over 100 TO	Over 150 TO
±0.15	±0.20	±0.30	±0.30	±0.50	±0.50	±0.70	±1.00	±1.30

ITEM	NAME OF PART	NO. OF PART	Q'TY	MATERIAL	NOTE
DWG	CHK	DATE	SCALE	SHEET/OF	1/1
APP	DATE	DATE	SCALE	A4	1/1
NAME				MX128L-5.08-XXP	

CIXI MAIXU ELECTRONICS CO.,LTD
 MAIXU 慈溪市迈旭电子有限公司

DWGNO. NAME